



Creating balance in healthcare



## Sirocco Shower stretcher



6100 2400 / 6100 2401

# Sirocco Shower stretcher



6100 2400 / 6100 2401

## Sirocco Shower stretcher Wall mounted

The Sirocco is a medical device for caring for and washing clients in an ergonomically responsible manner. Comfort is the primary consideration for both the client and the carer.

Lopital supplies various versions of its shower stretchers and dressing tables. The range includes stretchers that are secured to a wall, mobile shower stretchers and shower stretchers that are non-mobile. The height of some variants is electrically or hydraulically adjustable.

The Sirocco is multi-functional in use and corresponds to the use of other devices such as beds, wheelchairs and shower chairs, hoisting equipment and sliders such as the EasySlide. These are the essential functions of the Sirocco.

- Maximum load 150 kg / 330 lbs.
- Electrically operated height adjustability.
- Easy-to-use manual control.
- Suitable for bathrooms with minimal ceiling height of 230 cm / 90.6 inch.
- Incorporates wall mounted battery charger.
- Battery easy to change.
- Emergency stop.
- Emergency lowering device.
- Stretcher, head and foot boards made from polycarbonate.
- Mattress has 20 cm / 7.9 inch sill.
- Height adjustability mechanism can be operated by manual control.
- Hinged safety rail, coated stainless steel.
- The stretcher is constructed from coated steel with protective plastic trim.
- Ideal as shower stretcher and changing table.
- The stretcher is fitted with a 1.75 m / 68.9 inch water drainage outlet hose fitted on right-hand side (standard) when viewed from the operating side. Longer outlet hoses available on request.
- **Optional:** extra battery pack.



*Lowest position is 43 cm / 16.9 inch.*



Suitable for people  
with a severe to  
very severe disability



*Removable battery.*

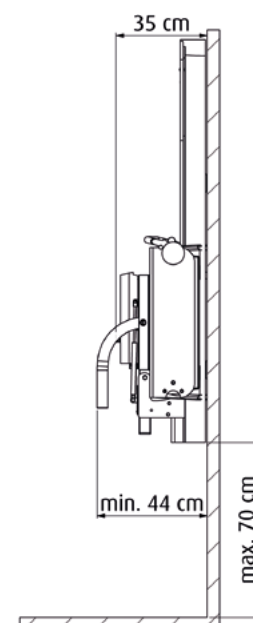
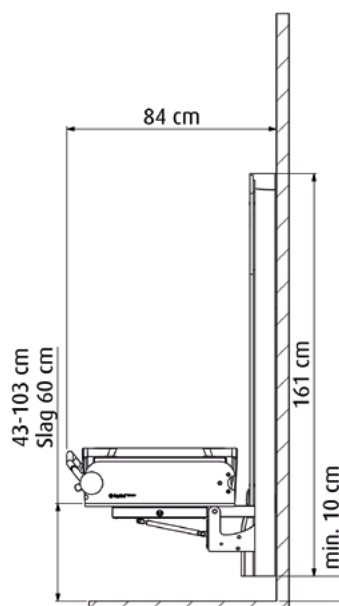
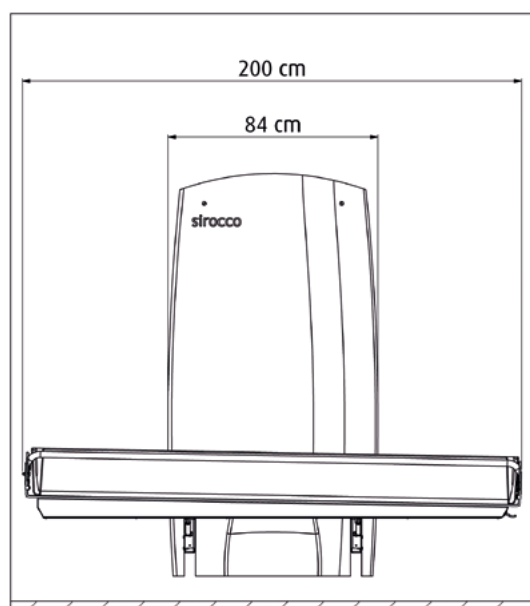


*Operation side rail.*



## Technical specifications

• Max. load	150 kg / 330 lbs	• High / low drive	Actuator 24V DC
• Product weight	80 kg / 176.4 lbs	• Controlbox	24V DC, max. 25W
• Width	84 cm / 33.1 inch	• Battery	24V, max. 250W
• Length	200 cm / 78.7 inch	• Charger	230V AC, connection value 100W, wall mounted
• Height (adjustable)	43 to 103 cm / 16.9 to 40.6 inch	• Waterproofness	IPX4



For more information, visit our website: [www.lopital.com](http://www.lopital.com)

Lopital Nederland B.V., Laarakkerweg 9, 5061 JR Oisterwijk, Postbus 56, 5060 AB Oisterwijk  
 Tel +31 (0)13 5239300, Fax +31 (0)13 5239301, E-mail [info@lopital.nl](mailto:info@lopital.nl), [www.lopital.nl](http://www.lopital.nl)

