



lopital[®]

Creating balance in healthcare



Mylo Shower-toilet chair



5100 5701

Mylo Shower-toilet chair



5100 5701

Mylo Shower-toilet chair

The Mylo can be used as a shower-toilet chair that can be moved and placed on top of the toilet. It is easy to clean and disinfect thanks to the foldable and removable seat. The seat can be removed and replaced on the frame without the use of any tools.

The multiple options and design of the Mylo make the chair an attractive user-friendly product.

The footrests are easy to fold and swing outwards. This makes it easier to access the chair and get out of it. The Mylo has push handles, making it easy to manoeuvre and move the chair. The ergonomic advantage of the push handles is that they help prevent joint problems.

- Maximum load 150 kg / 330 lbs.
- Foldable upholstered armrests.
- Foldable and removable seat for optimum hygiene.
- Rail for toilet bucket or bedpan.
- Ergonomically formed seat and backrest.
- Can be wheeled over the toilet.
- Foldable and swing-out footrests.
- 4 plastic castors, fitted with brakes

Options

- Product no. 6840 5660 Front locking armrests.
- Product no. 6840 5661 Dual locking armrests.
- Product no. 6950 1104 Plastic bedpan and lid.
- Product no. 6950 1120 Safety belt.
- Product no. 6950 5624 Platilon backrest.
- Product no. 6950 5625 Platilon seat.
- Product no. 6975 8045 Four point safety belt.
- Product no. 7500 5693 Raising set 10 t/m 30 mm.
- Product no. 7556 0025 Directional wheel left front.





Suitable for people with a mild to moderate disability



Foldable and removable seat.



Rail for toilet bucket or bedpan.



Foldable armrests.



Option: Product no. 6950 1104
Plastic bedpan and lid.



Foldable and swing-out footrests.



Option: Product no. 6840 5660
Front locking armrests.



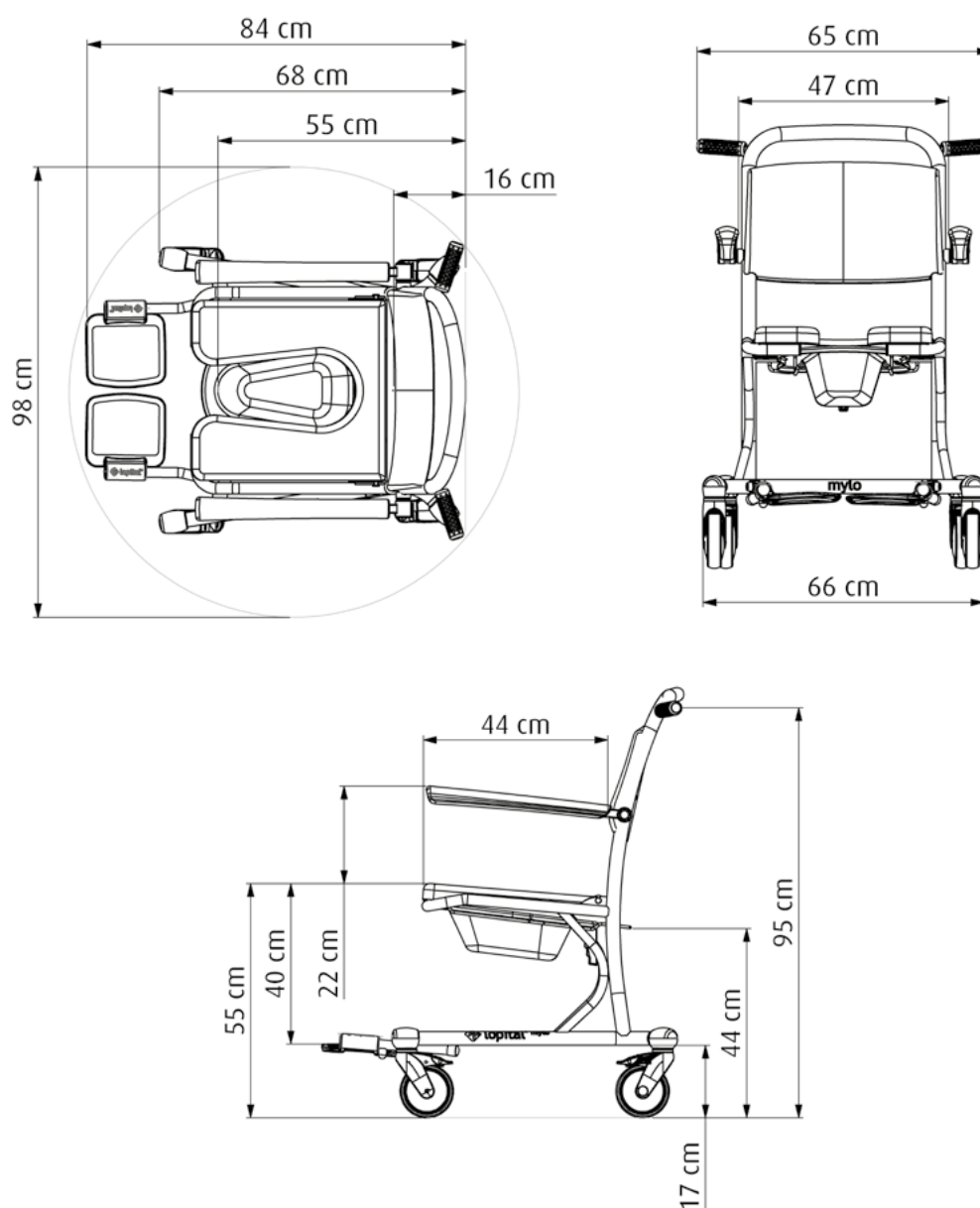
Option: Product no. 6840 5661
Dual locking armrests.



Option: Product no. 7500 5693
Raising set 10 t/m 30 mm.

Technical specifications

- | | | | |
|------------------|-------------------|---------------------------|-------------------|
| • Max. load | 150 kg / 330 lbs | • Seat height | 55 cm / 21.7 inch |
| • Product weight | 19 kg / 41.9 lbs | • Total length base frame | 84 cm / 33.1 inch |
| • Seat width | 47 cm / 18.5 inch | • Total width base frame | 66 cm / 26.0 inch |
| • Seat depth | 44 cm / 17.3 inch | • Turning radius | 98 cm / 38.6 inch |



For more information, visit our website: www.lopital.com

Lopital Nederland B.V., Laarakkerweg 9, 5061 JR Oisterwijk, Postbus 56, 5060 AB Oisterwijk
 Tel +31 (0)13 5239300, Fax +31 (0)13 5239301, E-mail info@lopital.nl, www.lopital.nl

