



Creating balance in healthcare



Marina Shower stretcher



6100 2300 / 6100 2350

Marina Shower stretcher



- Wide stable wheelbase.
- Extremely light frame made of aluminium.
- Large diameter wheels (Ø 12.5 cm / 4.9 inch).
- Height-adjustable, hydraulically or electrically operated.
- Ergonomic pump action for height adjustment.
- If electrically operated: fitted with an emergency descent switch, emergency brake and user-friendly charger.
- Simple and safe control of side rails with locking.
- Includes mattress, pillows and outlet hose.
- Corrosion resistant through coated aluminium, stainless steel, plastic and galvanised parts.
- Streamlined finish for optimal cleaning.
- Tilting for water drainage.

hydraulic: 6100 2300 / electric: 6100 2350

Marina Shower stretcher

The Marina shower stretcher is a medical device for caring for and washing clients in an ergonomically responsible manner. Comfort is the primary consideration for both the client and the carer.

The Marina comprises a mobile base frame and a height-adjustable supporting surface with a soft mattress. The stretcher is also mobile. These functions are essential performances of the stretcher. The Marina is multi-functional in use and corresponds to the use of other devices such as beds, wheelchairs and shower chairs, hoisting equipment and sliders such as the EasySlide.





Suitable for people with a severe to very severe disability



Option: Semi-central braking.



Marina hydraulic.



Manual control with battery indication.



Charging point with magnetic coupling.



Onn / off switch.



Side rail lock.

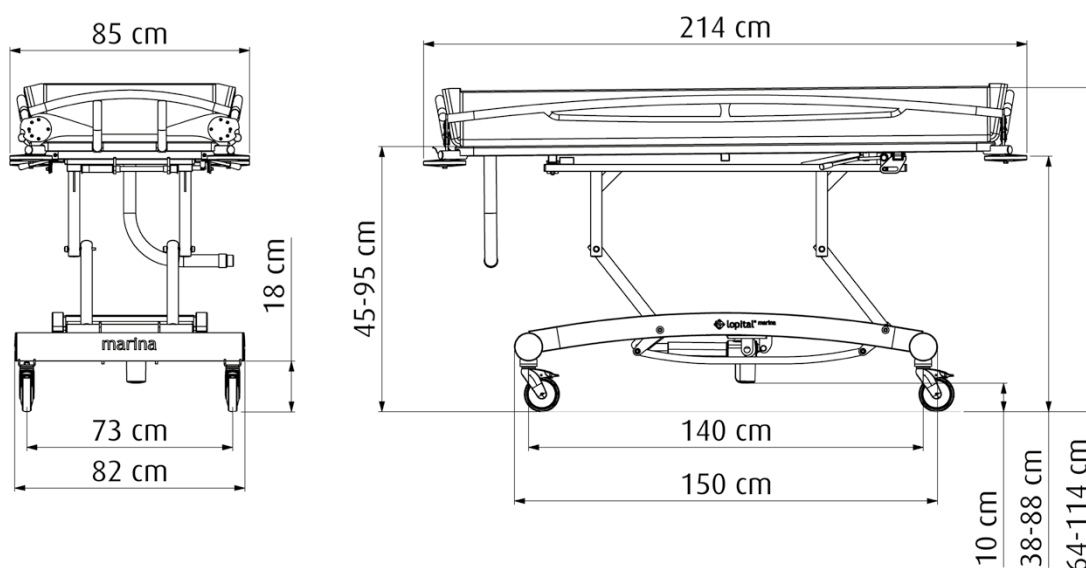


Suitable for obese clients to 180 kg / 400 lbs.

Technical specifications

• High / low drive	Hydraulic or electric	• Charger	220V 50/60Hz 500mA
• Manual control	Two-key handset with suspension hook, IPX6	• Emergency descent switch	Stick shift, directly from the control box
• Control box	24V DC, max. 250W, IPX5	• Complete electrical system	IPX5
• Emergency brake	Push button with rotation lock	• Side rails	Turnable, requires both hands to open
• Battery	2 x 12V, 7Ah		

Art.nr.	Art. omschrijving	Outside length	Outside width	Inside length	Inside width	High / low	Max. load	Product weight in kg
6100 2300	Marina Shower stretcher hydraulic	209	82	190	65	45 - 95	180	68
6100 2305	Marina Shower stretcher hydraulic	209	92	190	75	45 - 95	180	74
6100 2310	Marina Shower stretcher hydraulic semi-central	209	82	190	65	45 - 95	180	75
6100 2320	Marina Shower stretcher hydraulic	189	82	170	65	45 - 95	180	70
6100 2330	Marina Shower stretcher hydraulic	225	82	206	65	45 - 95	180	76
6100 2345	Marina Shower stretcher hydraulic	225	92	206	75	45 - 95	180	76
6100 2350	Marina Shower stretcher electric	209	82	190	65	45 - 95	180	75
6100 2355	Marina Shower stretcher electric	209	92	190	75	45 - 95	180	78
6100 2360	Marina Shower stretcher electric semi-central	209	82	190	65	45 - 95	180	79
6100 2370	Marina Shower stretcher electric	189	82	170	65	45 - 95	180	74
6100 2380	Marina Shower stretcher electric	225	82	206	65	45 - 95	180	80
6100 2385	Marina Shower stretcher electric	225	92	206	75	45 - 95	180	80



For more information, visit our website: www.lopital.com

Lopital Nederland B.V., Laarakkerweg 9, 5061 JR Oosterwijk, Postbus 56, 5060 AB Oosterwijk
 Tel +31 (0)13 5239300, Fax +31 (0)13 5239301, E-mail info@lopital.nl, www.lopital.nl

